

PART NUMBER	DESCRIPTION	FIGURE
80012654	180Ω RESISTOR ASSY	A
80012655	1KΩ RESISTOR ASSY	A
80012656	4.02 Ω RESISTOR ASSY	A
80020940	392Ω RESISTOR ASSY	A
80040367	300Ω RESISTOR ASSY	B
80049714	1470Ω RESISTOR ASSY	A

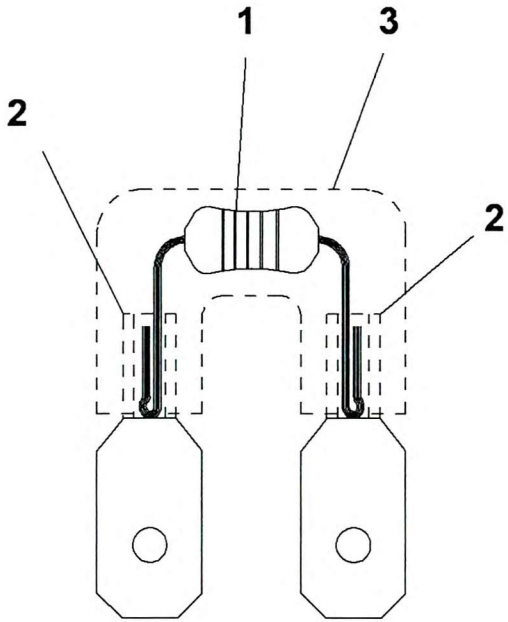


FIGURE A

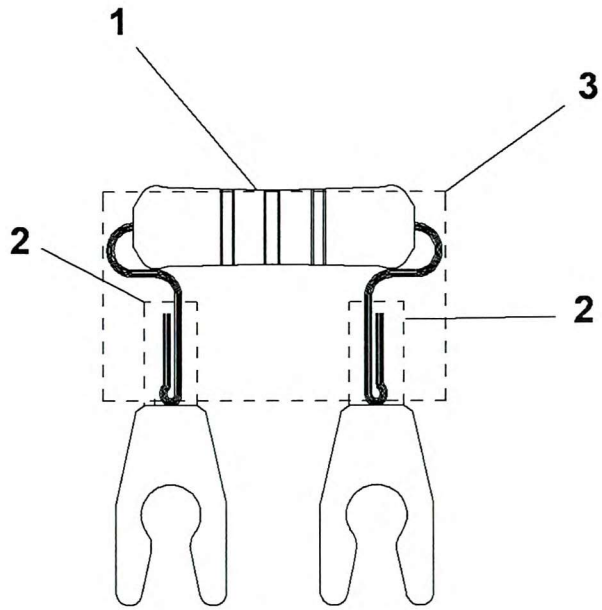


FIGURE B